

PX-3A54 General purpose EMC three phase filter

Features

- Single stage 3 phase EMC filter
- Good attenuation in differential and common mode
- For industrial inverters and motor drives
- For fast switching applications

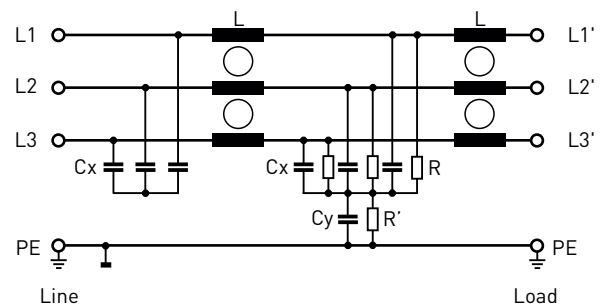


Technical specifications

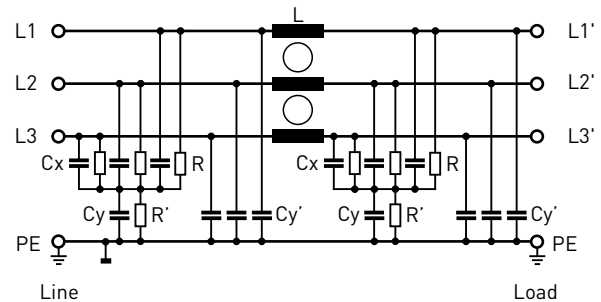
Maximum continuous operation voltage: 520 Vac
 Operation frequency: dc to 60Hz
 Hi pot test voltage:
 L → PE 3000 Vdc for 2 sec
 L → L 2250 Vdc for 2 sec
 Operation temperature: -25 °C to +100 °C (25/100/21)
 Flammability class: UL 94 V2 (min)
 Rated currents: 8 to 660 A @ 50 °C
 Overload capacity: 1,5 x rated current for 1 min per hour
 Designed according to UL 1283 and EN 60939

Schematic

Schematic for 8-16A types



Schematic for 25-660A types

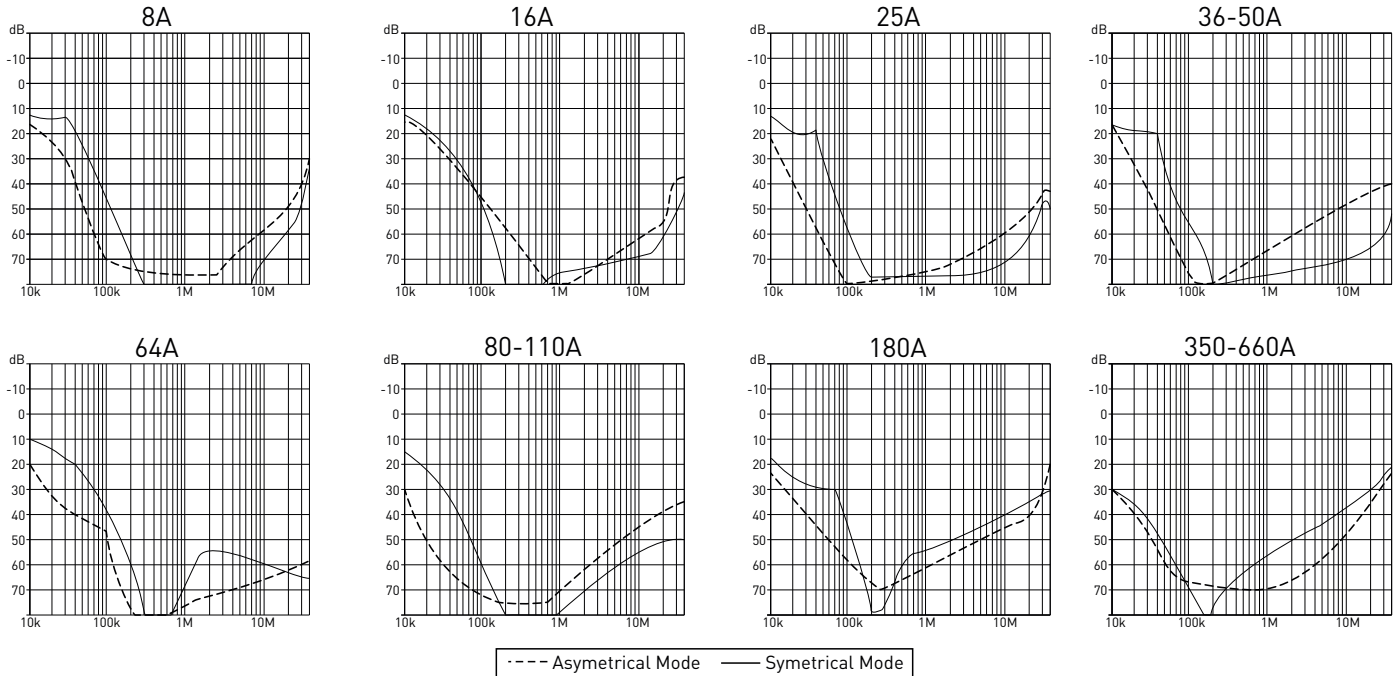


Part Number	Rated current @ 50°C	Typical drive power rating	Leakage current @ 400Vac/50Hz	Power loss @ 25°C/50Hz	Input/Output connections	Weight (Kg)
	(A)	(kW)	(mA)	(W)		
PX-3A54-008-T1	8	4	3,7	7	-T1	1,6
PX-3A54-016-T1	16	7,5	4	8	-T1	1,6
PX-3A54-025-T2	25	15	17,6	8	-T2	2,4
PX-3A54-036-T3	36	18,5	17,6	9	-T3	2,4
PX-3A54-050-T3	50	30	17,6	11	-T3	2,4
PX-3A54-064-T5	64	37	17,6	15	-T5	2,4
PX-3A54-080-T5	80	45	18,7	23	-T5	4,5
PX-3A54-110-T6	110	75	18,7	25	-T6	4,5
PX-3A54-180-S4	180	110	18,7	49	-S4	-
PX-3A54-350-BB	350	220	19,6	19	-BB	-
PX-3A54-660-BB	660	450	19,6	45	-BB	-

Revised: 26/02/2014
 Specifications subject to change without notice

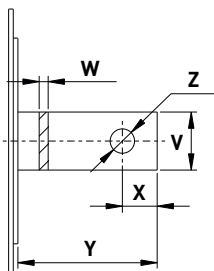
Insertion loss

According to CISPR 17 50Ω/50Ω



Busbar connections

350 to 660A types



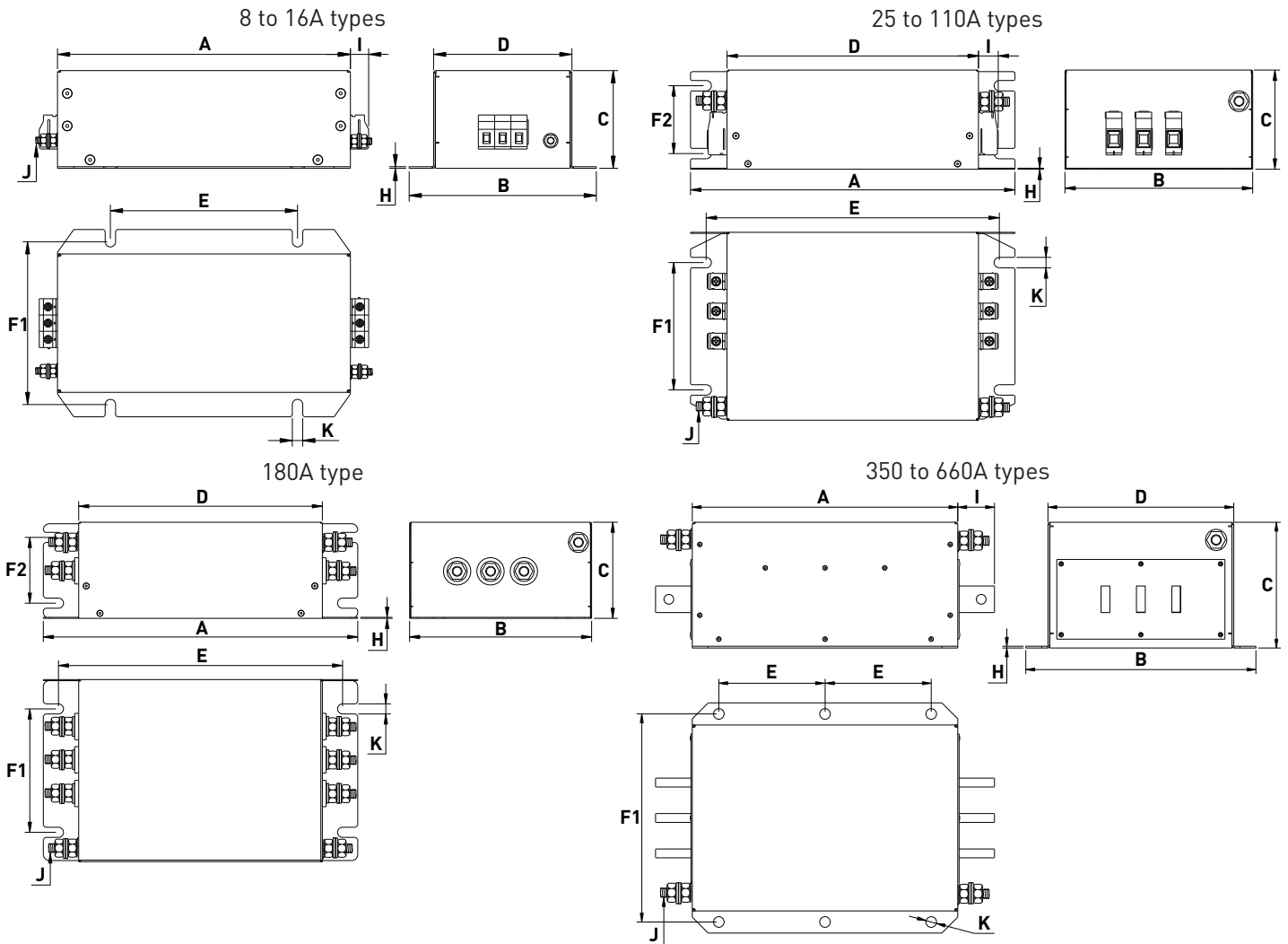
Filter I/O connectors

	-T1	-T2	-T3	-T5	-T6	-S4
Connection style						
Wire section	4 mm ²	6 mm ²	10 mm ²	25 mm ²	50 mm ²	
AWG type wire	AWG12	AWG10	AWG8	AWG4	AWG 1/0	
Maximum torque	0,5NM	1,2NM	1,2NM	2NM	6NM	17NM
Metric						M10

Revised: 26/02/2014

Specifications subject to change without notice

Mechanical data



Dimensions

	8A	16A	25A	36A	50A	64A	80A	110A	180A	350A	660A
A	180	180	274	274	274	274	311	311	311	300	300
B	115	115	140	140	140	140	180	180	180	260	260
C	60	60	58	58	58	58	95	95	95	142	142
D	85	85	214	214	214	214	241	241	241	210	210
E	115	115	260,5	260,5	260,5	260,5	281	281	281	120	120
F1	100	100	60	60	60	60	122	122	122	235	235
F2			34	34	34	34	65	65	65		
H	1	1	1	1	1	1	1	1	1	2	2
I	11,2	11,2	14,5	14,5	14,5	18,8	18,8	43		41,5	41,5
J	M6	M6	M6	M6	M6	M6	M10	M10	M10	M12	M12
K	6,4	6,4	6,5	6,5	6,5	6,5	10	10	10	Ø12	Ø12
V										25	30
W										5	10
X										15	15
Y										40	40
Z										Ø11	Ø11

All dimensions in mm
Tolerance according to EN 22768-c

Revised: 26/02/2014

Specifications subject to change without notice