

# PX-3B51 Three phase EMC filter

## Features

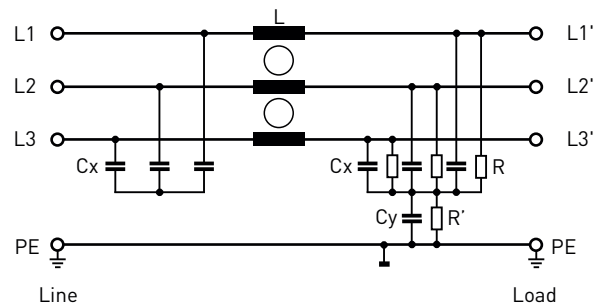
- Three phase book-style EMC filter
- For motor drives, inverters, converters, etc...
- Compact size and easy to install
- Good attenuation in differential and common mode




## Technical specifications

Maximum continuous operation voltage: 520 Vac  
 Operation frequency: dc to 60Hz  
 Hi pot test voltage:  
 L → PE 3000 Vdc for 2 sec  
 L → L 2250 Vdc for 2 sec  
 Operation temperature: -25 °C to +100 °C (25/100/21)  
 Flammability class: UL 94 V2 (min)  
 Rated currents: 7 to 180 A @ 50 °C  
 Overload capacity: 1,5 x rated current for 1 min per hour  
 Designed according to UL 1283 and EN 60939

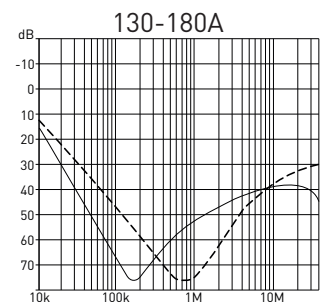
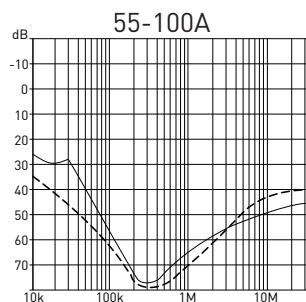
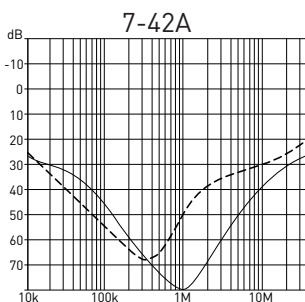
## Schematic



Ordering Code	Rated current @ 50°C	Typical drive power rating	Leakage current @ 400Vac/50Hz	Power loss @ 25°C/50Hz	Input/Output connections	Weight
	(A)	(kW)	(mA)	(W)		(Kg)
PX-3B51-007-T1	7	4	33	4	-T1	0,5
PX-3B51-016-T1	16	7,5	33	6	-T1	0,8
PX-3B51-030-T2	30	18,5	33	12	-T2	1,2
PX-3B51-042-T3	42	22	33	16	-T3	1,4
PX-3B51-055-T4	55	37	33	26	-T4	2
PX-3B51-075-T5	75	45	33	32	-T5	2,7
PX-3B51-100-T6	100	55	33	34	-T6	4,3
PX-3B51-130-T6	130	75	33	43	-T6	4,5
PX-3B51-180-T7	180	110	33	58	-T7	6

## Insertion loss

According to CISPR 17 50Ω/50Ω



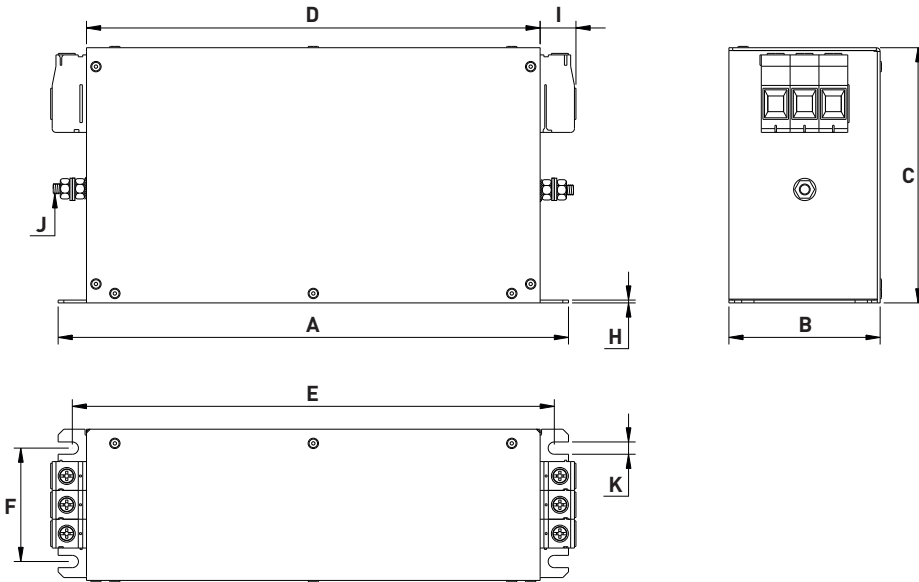
--- Asymmetrical Mode — Symmetrical Mode

Revised: 26/02/2014

Specifications subject to change without notice

# PX-3B51 Three phase EMC filter

## Mechanical data



## Dimensions

	7A	16A	30A	42A	55A	75A	100A	130A	180A
A	190	250	270	310	250	270	270	270	380
B	40	45	50	50	85	80	90	90	120
C	70	70	85	85	90	135	150	150	170
D	160	220	240	280	220	240	240	240	350
E	180	235	255	295	235	255	255	255	365
F	20	25	30	30	60	60	65	65	102
H	1	1	1	1	1	1,5	1,5	1,5	1,5
I	11,2	11,2	14,5	14,5	18,8	18,8	43	43	49,5
J	M5	M5	M5	M6	M6	M6	M10	M10	M10
K	4,5	5,4	5,4	5,4	5,4	6,5	6,5	6,5	6,5

All dimensions in mm  
Tolerance according to EN 22768-c

## Filter I/O connectors

	-T1	-T2	-T3	-T4	-T5	-T6	-T7
Connection style							
Wire section	4 mm <sup>2</sup>	6 mm <sup>2</sup>	10 mm <sup>2</sup>	16 mm <sup>2</sup>	25 mm <sup>2</sup>	50 mm <sup>2</sup>	95 mm <sup>2</sup>
AWG type wire	AWG12	AWG10	AWG8	AWG6	AWG4	AWG 1/0	AWG 4/0
Maximum torque	0,5NM	1,2NM	1,2NM	2NM	2NM	6NM	20NM

Revised: 26/02/2014  
Specifications subject to change without notice